

Verderflex

Vantage 3000 C R3i



VERDERFLEX®

Verderflex Vantage 3000 C R3i Specification

Pump head	Aluminium, Powder Coated, Perspex Front Cover
Control Options	Analogue Inputs (0-10V DC / 4 to 20mA), Potentiometer (10kΩ), Remote Stop / Start / Reverse (Footswitch)
Software Features	Keypad Lock, Memory Dose
Display	2 Line Alphanumeric Display
Motor	24 Hour Duty Brushless DC
Rotor	Anodised Aluminium Nylatron® Rollers
Power Supply	85 - 265V AC 50/60Hz with Fuseless Resetable Switch
Speed	10 to 250 RPM
Protection Class	IP66
Standard Tube	Verderprene, Silicone (Tygon®, Viton® : some sizes to special order)
Tube Sizes	6.4 x 3.2mm, 8.0 x 3.2mm, 9.6mm x 3.2mm
Weight	5 kg

Flow Rates

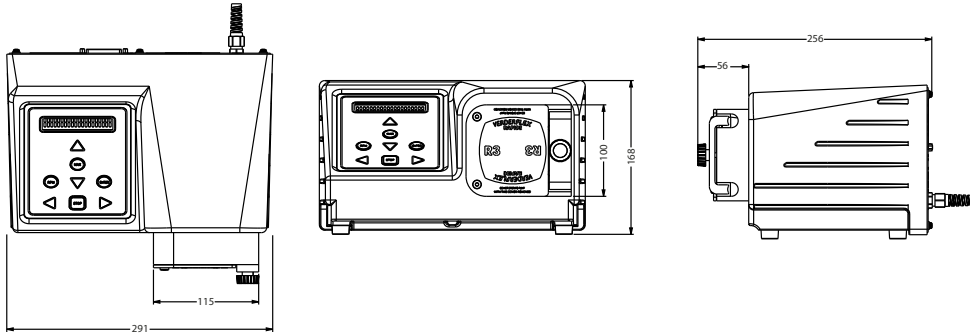
Tube (ID x WT)	RPM	Flow ml/min	Flow l/hr
6.4 x 3.2 mm	10	55	3.3
6.4 x 3.2 mm	120	660	39.6
6.4 x 3.2 mm	200	1100	66
6.4 x 3.2 mm	250	1375	82.5
8.0 x 3.2 mm	10	97	5.8
8.0 x 3.2 mm	120	1164	69.8
8.0 x 3.2 mm	200	1940	116.4
8.0 x 3.2 mm	250	2425	145
9.6 x 3.2 mm	10	130	7.8
9.6 x 3.2 mm	120	1560	93.6
9.6 x 3.2 mm	200	2600	156
9.6 x 3.2 mm	250	3250	195

Flows are typical and were measured with water at 20°C with no suction lift or discharge pressure. Actual flows will vary according to suction conditions, discharge pressure and normal component production tolerances.

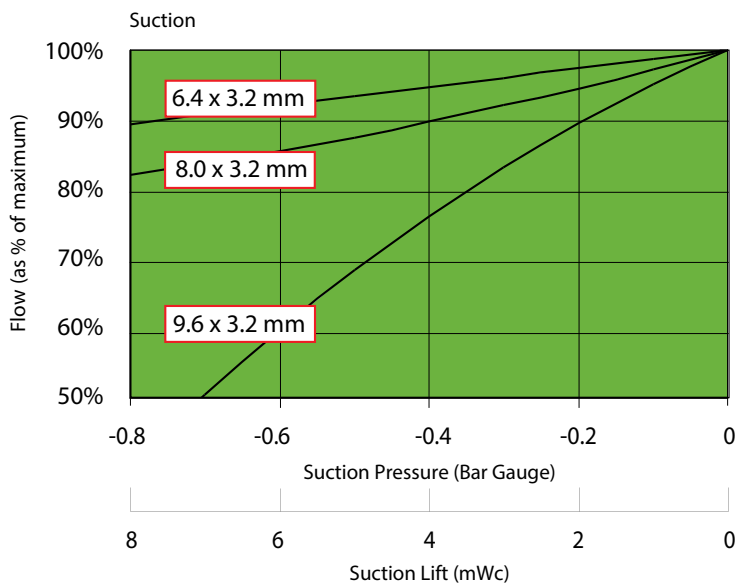
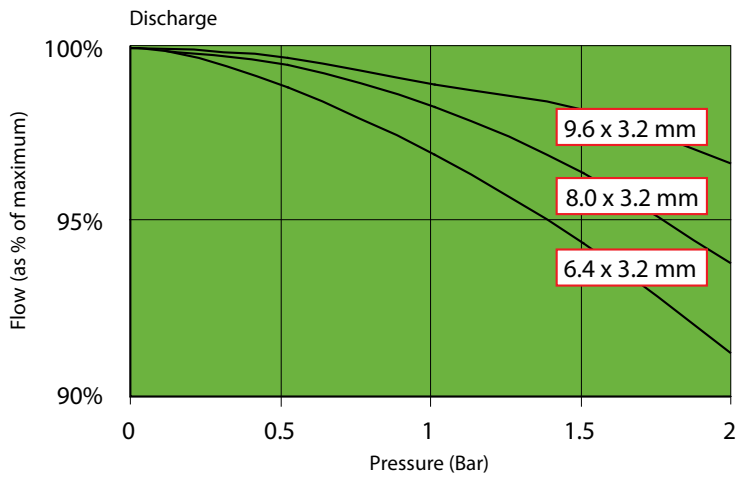


Verderflex

Vantage 3000 C R3i



All dimensions are in mm.
All dimensions and weights are for guidance only.





WolfLabs

Pricing on any accessories shown can be found by keying the part number into the search box on our website.

The specifications listed in this brochure are subject to change by the manufacturer and therefore cannot be guaranteed to be correct. If there are aspects of the specification that must be guaranteed, please provide these to our sales team so that details can be confirmed.

www.wolflabs.co.uk

Tel : 01759 301142

Fax : 01759 301143

sales@wolflabs.co.uk

Please contact us if this literature doesn't answer all your questions.